

Certified Quality System
ISO 9001:2000

This device is suitable to measure the length of the conductors or the stringing ropes

CHARACTERISTICS

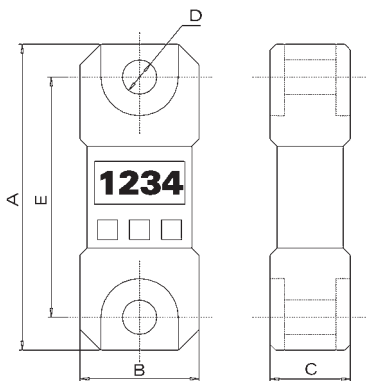
Mass 6 kg



ELECTRONIC DYNAMOMETERS DLE

These devices are suitable to measure the force accurately

Model	Capacity [kN]	Dimensions [mm]					Mass [kg]
		A	B	C	D	E	
DLE 010	5	190	83	56	16	150	1.1
DLE 020	12.5	190	83	56	16	150	1.1
DLE 030	25	214	83	56	24	160	1.4
DLE 040	50	226	90	56	32	165	1.9
DLE 050	125	310	110	58	47	196	3.8
DLE 060	250	360	134	68	56	216	6.6
DLE 070	500	440	164	98	72	260	15.1



HYDRAULIC DYNAMOMETER DLI 080

This device is suitable to measure the force accurately

Model	Capacity [kN]	Dimensions [mm]					Mass [kg]
		A	B	C	D	E	
DLI 080	55	127	51	210	248	94	3.9

